

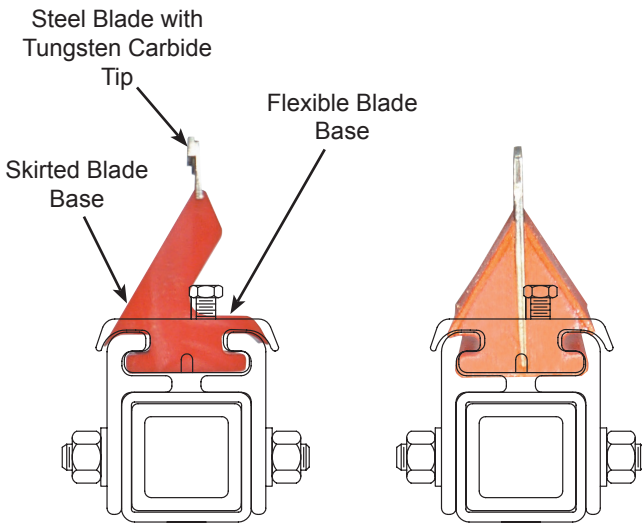
# Martin® DT2 Inline Cleaner



Combining the best features of two successful Martin Engineering Secondary Cleaners, the [Martin® DT2 Inline Cleaner](#) features a split-track blade cartridge that slides in and out on a stainless steel mandrel. This unique engineering makes for a fast and easy service procedure to reduce conveyor downtime.

### BENEFITS

- Removes Carryback, Saves Cleanup**  
 Effective belt cleaning reduces plant clean-up chores, and prolongs life of conveying equipment.
- 5-Minute Blade Change**  
 Blades slide into split-frame cartridge; cartridge slides into cleaning position on stainless steel mandrel.
- Minimizes Service Time**  
 Slide-in/slide-out blade cartridge allows quick and easy blade service that minimizes conveyor downtime. Even when the cleaner is encrusted with material, one-half of the split frame can be removed to allow blade change. With on-site safety approvals, blades can be changed while the belt runs.
- Installs in Small Places**  
 Lean profile minimizes space requirements, allows installation in spaces as narrow as seven inches (178 mm).
- Suitable for Reversing Belts**  
 Can be installed on conveyors that roll back or run in two directions.

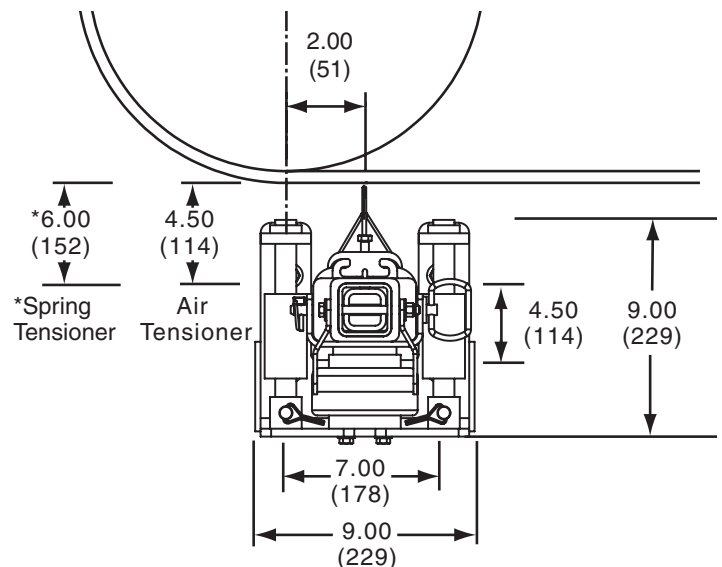


### Martin® DT2 REPLACEMENT BLADES

Martin® Inline Blade	P/N
Tungsten Carbide	36316 - T
Mild Steel	36316 - MS

Martin® DT2 Reversing Blade	P/N
Tungsten Carbide	31104 - T
Urethane	31104 - U
Stainless Steel	31104 - S

\*Available with Martin® Inline Cleaner Blades (Tungsten Carbide, or Mild Steel) or DT2 Reversing Cleaner Blades (Tungsten Carbide, Stainless Steel, or several High-Performance Urethanes).



# TECHNICAL DATA SHEET

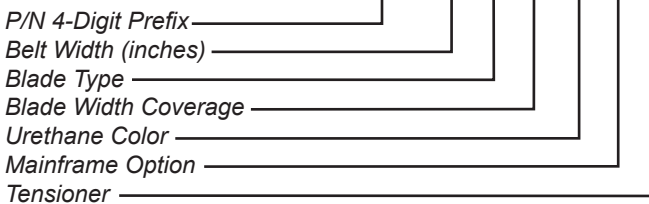
\* Metric belt widths are given as standard industry belt sizes rather than conversions.

## DIMENSIONS – in. (mm)

Belt Width* in. (mm)	No. of Blades		Blade Coverage in. (mm)	Max. Mainframe Length in. (mm)	Weight w/o Tensioner lb (kg)	Assembly P/N with Tensioner**
	Inline	Reversing				
24 (500-650)	8	4	24 (210)	56 (1422)	62 (30)	DT2S-24XXXXXXXX
	6	3	18 (457)		70 (32)	
30 (650-800)	10	5	30 (762)	62 (1575)	72 (33)	DT2S-30XXXXXXXX
	8	4	24 (610)		79 (36)	
36 (800-1000)	12	6	36 (914)	68 (1727)	89 (40)	DT2S-36XXXXXXXX
	10	5	30 (792)		82 (37)	
42 (1000-1200)	14	7	42 (1067)	74 (1880)	99 (45)	DT2S-42XXXXXXXX
	12	6	36 (914)		92 (42)	
48 (1200-1400)	16	8	48 (1219)	80 (2032)	110 (50)	DT2S-48XXXXXXXX
	14	7	42 (1067)		102 (46)	
54 (1400-1600)	18	9	54 (1372)	84 (2134)	120 (55)	DT2S-54XXXXXXXX
	16	8	48 (1219)		112 (51)	
60 (1600-1800)	20	10	60 (1524)	90 (2286)	130 (60)	DT2S-60XXXXXXXX
	18	9	54 (1372)		122 (56)	
66 (1650-1750)	22	11	66 (1676)	96 (2438)	140 (64)	DT2S-66XXXXXXXX
	20	10	60 (1524)		133 (61)	
72 (1800-2000)	24	12	72 (1829)	104 (2642)	152 (69)	DT2S-72XXXXXXXX
	22	11	66 (1676)		143 (65)	
84 (2000-2200)	28	14	84 (2134)	116 (2946)	172 (78)	DT2S-84XXXXXXXX
	26	13	78 (1981)		163 (74)	
96 (2200-2400)	32	16	96 (2438)	128 (3251)	189 (86)	DT2S-96XXXXXXXX
	30	15	90 (2286)		183 (82)	

## NOMENCLATURE

**DT2S-XX X XXXX X X**



### Blade Type

- T:** Tungsten Carbide Reversing Blade
- S:** Stainless Steel Reversing Blade
- A:** Inline Tungsten Carbide Blade
- U:** Urethane Reversing Blade

### Mainframe

- P:** Standard Duty
- S:** 316 Stainless Steel

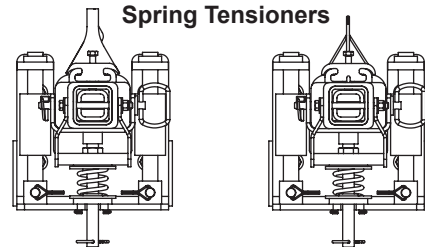
### Urethane Color

- BR:** Brown
- GR:** Green
- OR:** Orange

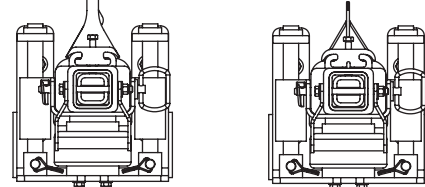
### Tensioner Type

- A:** Air Tensioner
- S:** Spring Tensioner

### Spring Tensioners



### Air Tensioners



### Martin Engineering USA

One Martin Place  
 Neponset, IL 61345-9766 USA  
 800 544 2947 or 309 852 2384  
 Fax 800 814 1553  
 www.Martin-eng.com

**COMPANY WITH  
 QUALITY SYSTEM  
 CERTIFIED BY DNV  
 = ISO 9001:2008 =**

**Problem Solved™ GUARANTEED!**

Form No. L3685-08/12  
 © Martin Engineering Company 2002, 2012